

THREE PHASE THREE WIRE METERING

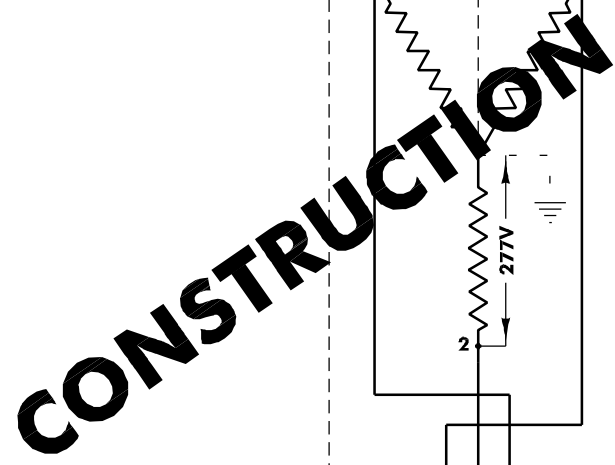
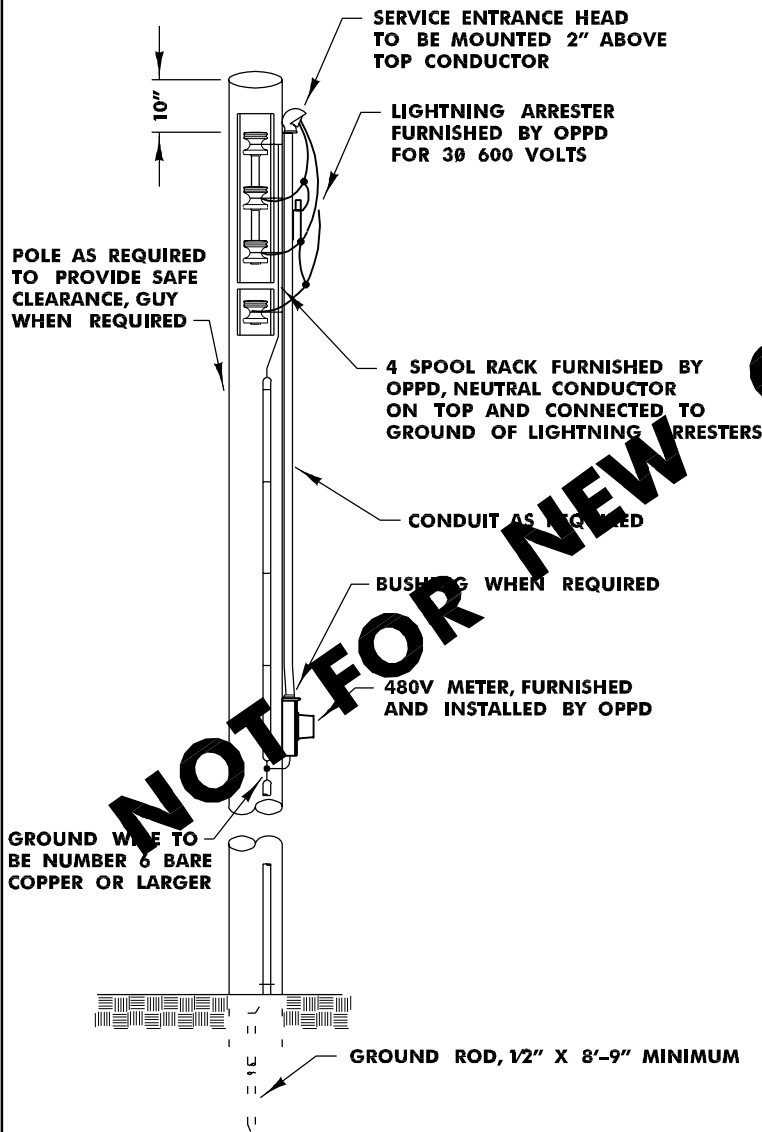
480 VOLT FROM WYE-CONNECTED TRANSFORMER SECONDARIES
— SOCKET TYPE —

CLASS 100 – RATING 100 AMPERES TOTAL PER PHASE ON BALANCED LOAD
CLASS 200 – RATING 200 AMPERES TOTAL PER PHASE ON BALANCED LOAD
TYPICAL IRRIGATION-PUMP METER-POLE

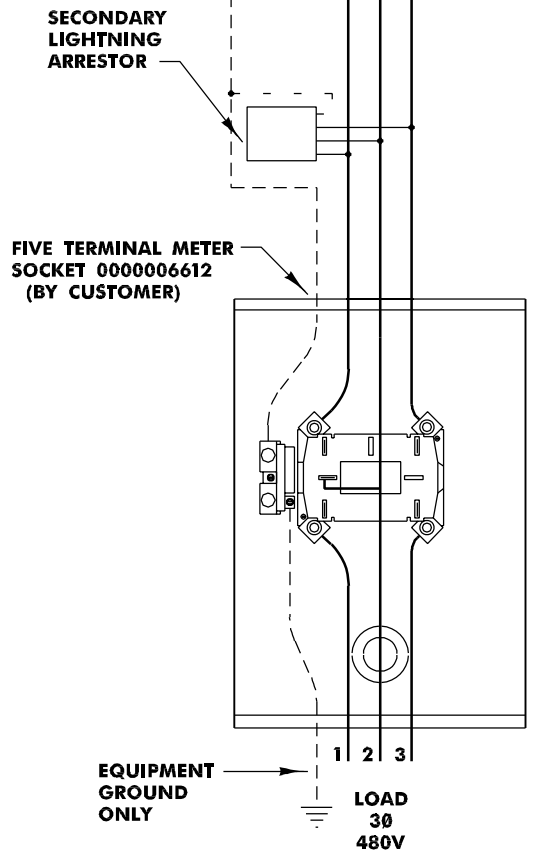
4.02.11

M360
M360D

3Ø WYE CONNECTED
TRANSFORMER SECONDARIES



NOT FOR NEW CONSTRUCTION



NOTE:

ALL MATERIAL TO BE "NATIONAL ELECTRICAL CODE" GRADE AND TO BE FURNISHED AND INSTALLED BY CUSTOMER, EXCEPT WHERE NOTED.